

**CES AND CESD 60 AMPERE FACTORY SEALED
RECEPTACLES: EXPLOSION-PROOF**

Grounding thru Extra Pole and Shell, Delayed Action CES- Class I, Groups C and D; CESD- Class 1, Group D

INSTRUCTIONS FOR CES AND CESD SLIDE LOCK RECEPTACLES

TO DISASSEMBLE RECEPTACLE

1. Remove screws (2).
2. Remove screw (4) and washer (5).
3. Rotate terminal holder counter-clockwise.

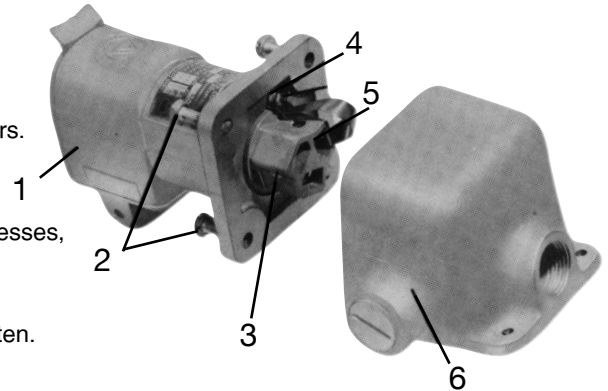
NOTE: Steps 2 and 3 are not required for making connections with conductors.

TO CONNECT CONDUCTORS TO RECEPTACLES

1. Strip insulation from ends of individual conductors.
2. Loosen screws (3) and slide prepared ends of conductors into contact recesses, observing proper polarity. Tighten screws .

TO REASSEMBLE RECEPTACLE




1. Replace Receptacle housing (1) on Unilet (6), replace screws (2) and tighten.



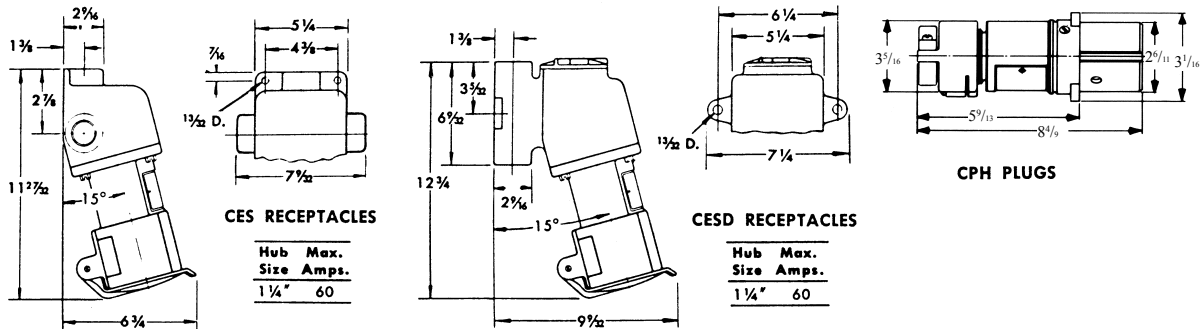
POLARITY AND PHASE ROTATION

WARNING: CES/CESD receptacles are polarized so that the plug will enter the receptacle only one way. To reduce the risk of shock or injury, installer must check and test to ensure that all circuits are according to plan and that there are no unwanted opens, shorts or grounds. Do not apply power until the following steps are completed:

1. Test to verify correct phasing and ground connections are made between plug and receptacle terminals.
2. Test insulation resistance by meggering, high voltage or hi-pot test, to be sure the system does not have any short circuits or unwanted grounds.

CPH PLUGS FOR USE WITH CES AND CESD RECEPTACLES		
FOR USE WITH		
PLUGS	RECEPTACLES	
CPH-6023 B C	CES/CESD-6023	 CPH (60 Amp.)
CPH-6034 B C	CES/CESD-6034	
60 AMP 2W 3P 	60 AMP 3W 4P 	

DIMENSIONS OF CES AND CESD SLIDE-LOK[®] RECEPTACLES AND CPH PLUGS



Using Appleton SLIDE-LOK CES and CESD Plugs and Receptacles

